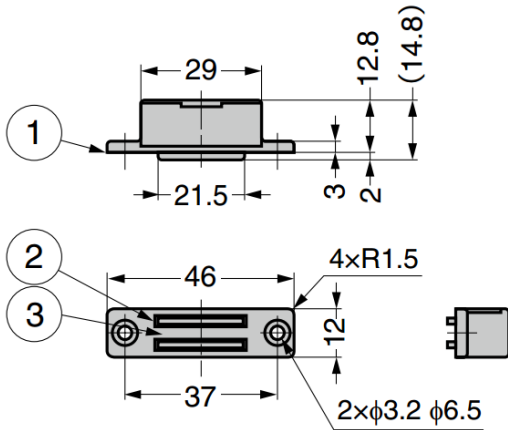


GMC0051 Magnetic Catch

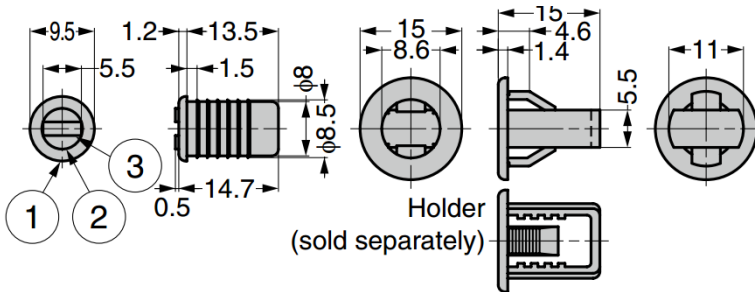


Part No.	Magnetic Force	
	GMC0051	53.9 N

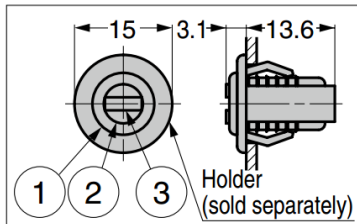
No.	Part Name	Material	Finish / Colour
①	Body	ABS	Black
②	Yoke	Steel (SPCC)	Clear Zinc Chromate
③	Magnet	Ferrite	-

GNB01 Magnetic Catch

Sold Separately
• Holder GNB01H



Installation



No.	Part Name	Material	Finish / Colour
①	Body	PA	White
②	Yoke	Steel (SPCC)	Clear Zinc Chromate (Trivalent)
③	Magnet	Ferrite	-

Body

Part No.	Magnetic Force	
GNB01	10.78 N	1.1 kg

Holder (Sold Separately)

Part No.	Material	Colour
GNB01H	PA	White